

ARTIK530 NEXELL INTERPOSER BOARD REV0.3

Revision	Date	Description
0.0	2016.05.18	First Version
0.1	2016.06.10	
0.2	2016.07.15	
0.3	2016.08	

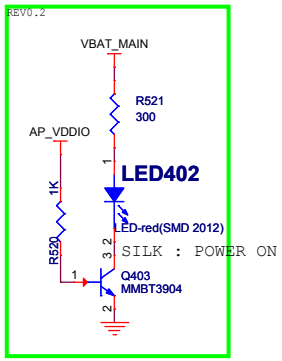
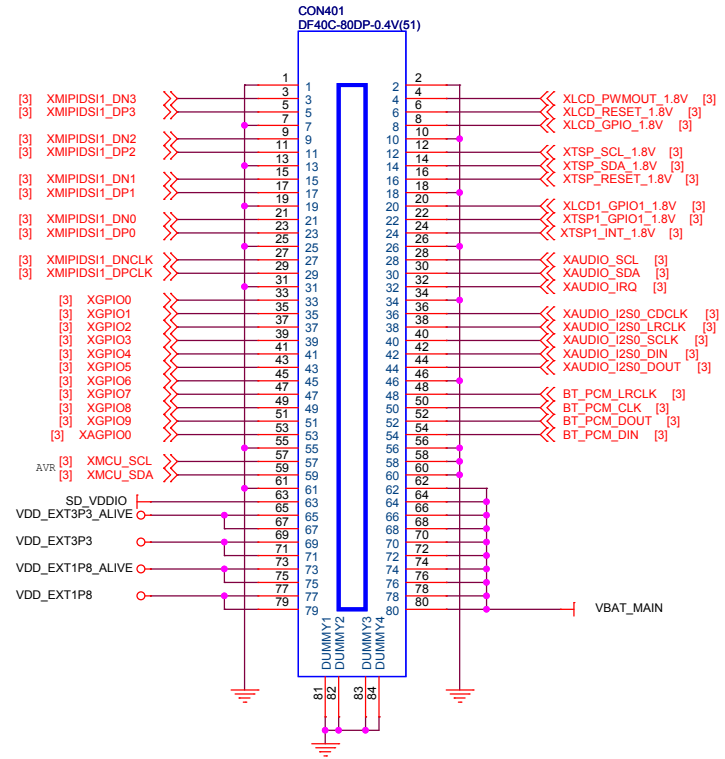
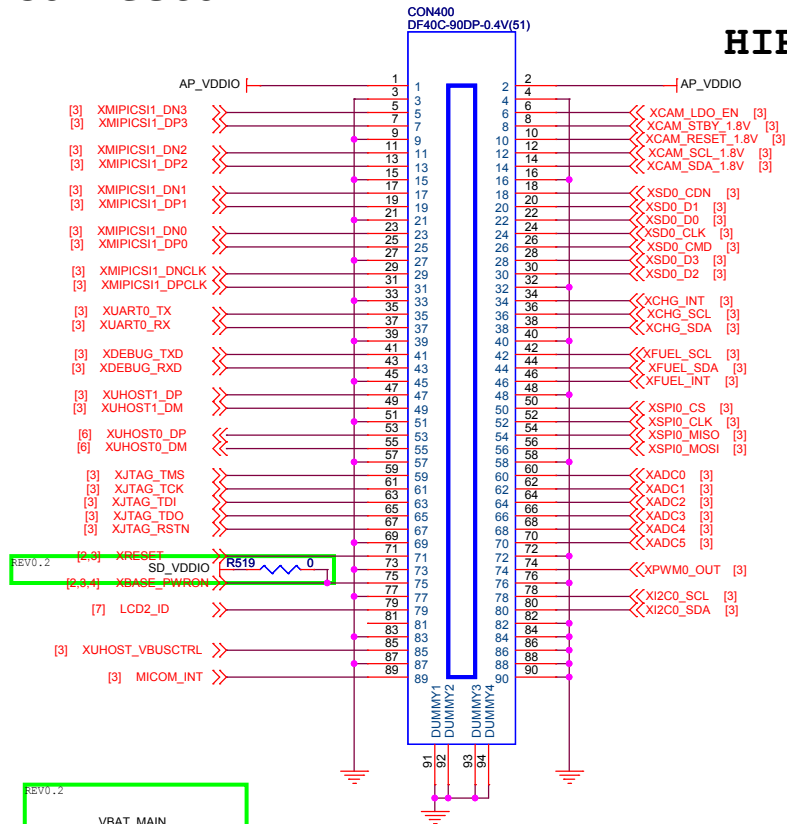
Table of Contents		Abbreviation List	
Page Description 01: Title 02: B2B Connector 03: ARTIK module LGA pad 04: ETHERNET-RTL8211E-VB-CG 05: USB OTG 06: HSIC 07: LCD LVDS DISPLAY 08: HDMI 09: BM, RTC, ANT, ZIGBEE 10: Revision History	Page Description		

This schematic was designed using standard symbol.

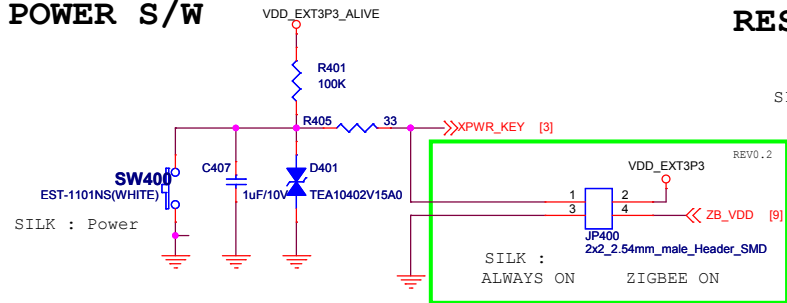
B2B Connector

Stacking height - 4mm

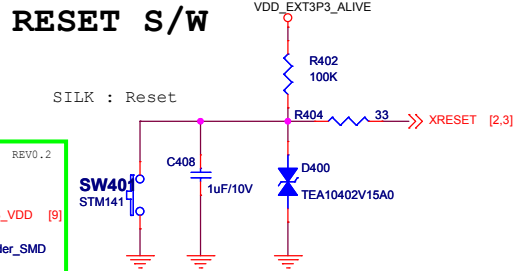
HIROSE Header



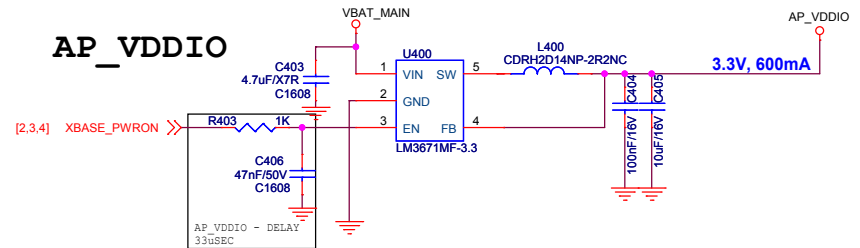
POWER S/W



RESET S/W



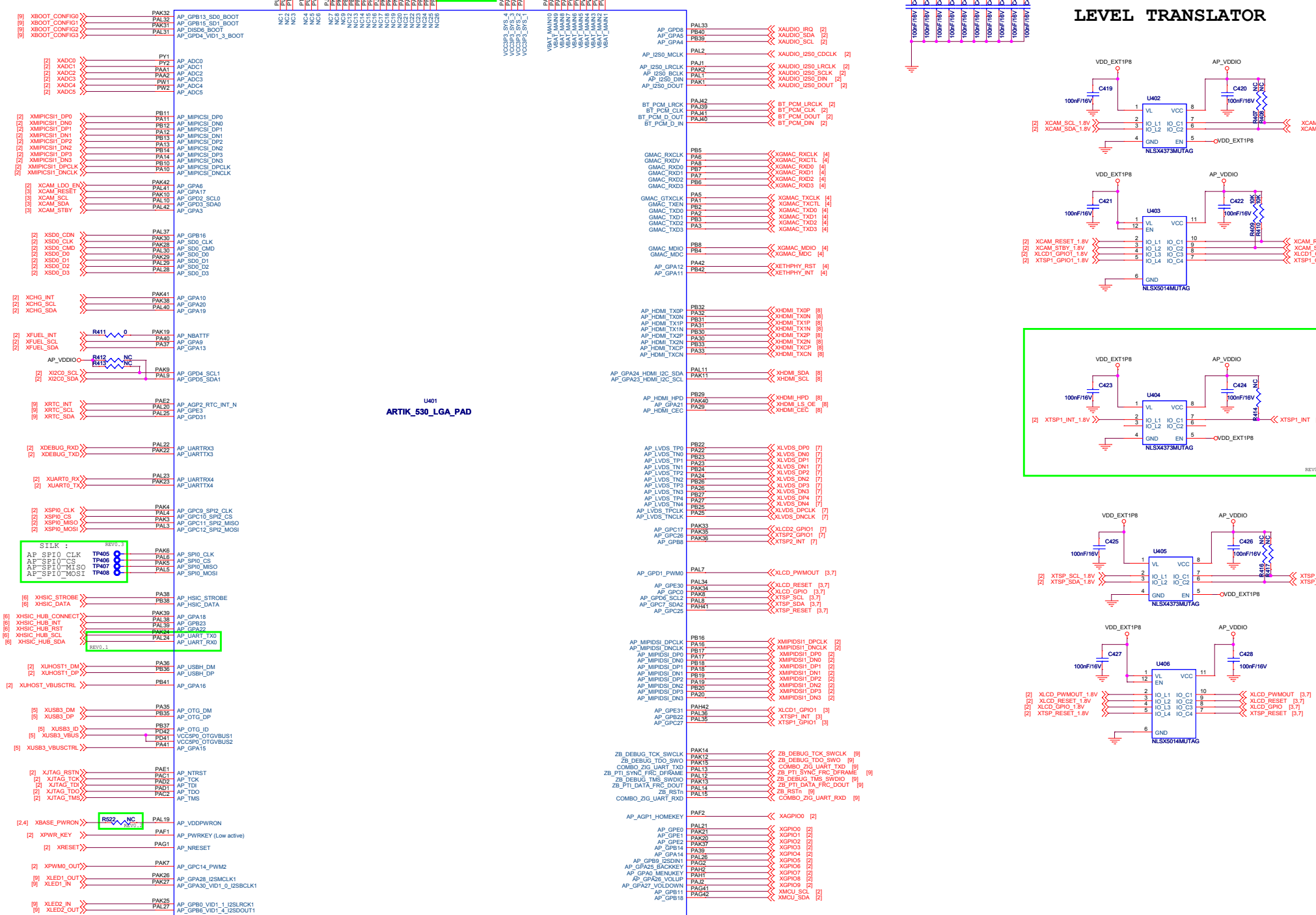
AP_VDDIO



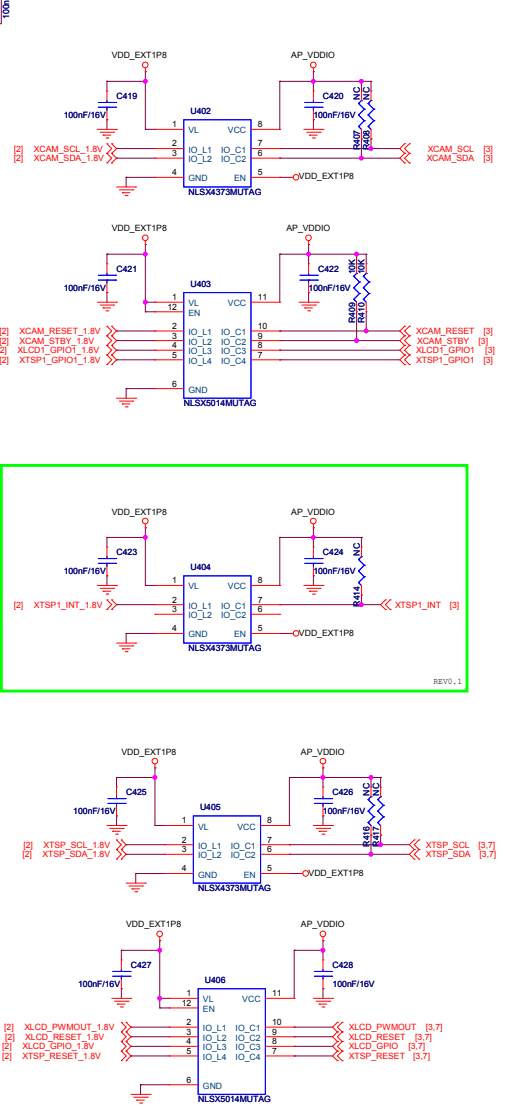
Samsung Electronics Co., Ltd.			
Title ARTIK530 INTERPOSER NEXELL BOARD REV0.3			
Size A3	Document Number 02: B2B Connector	Rev 0.2	
Date: Friday, August 12, 2016	Sheet 2	of 10	

ARTIK530_LGA_PAD

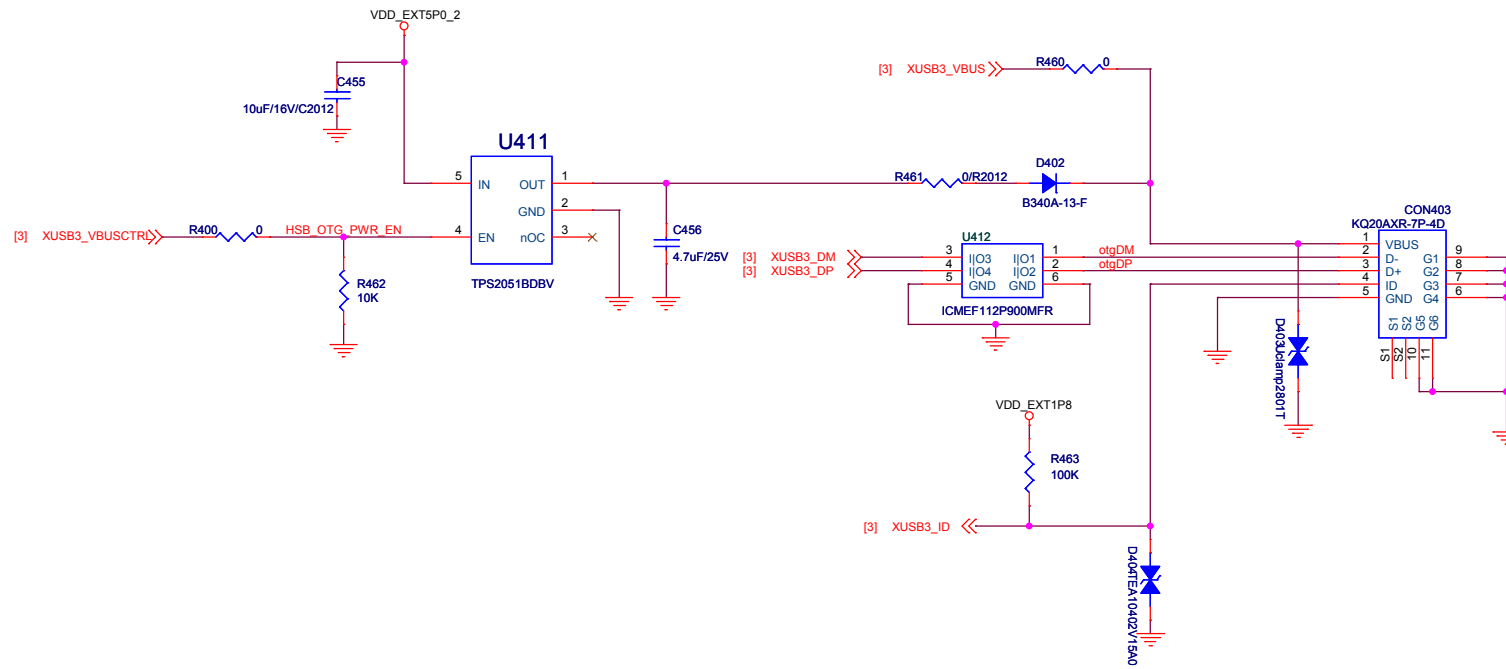
TP403 SILK : KUARTO_CTS
 TP404 SILK : KUARTO_RTS
 REV0.1



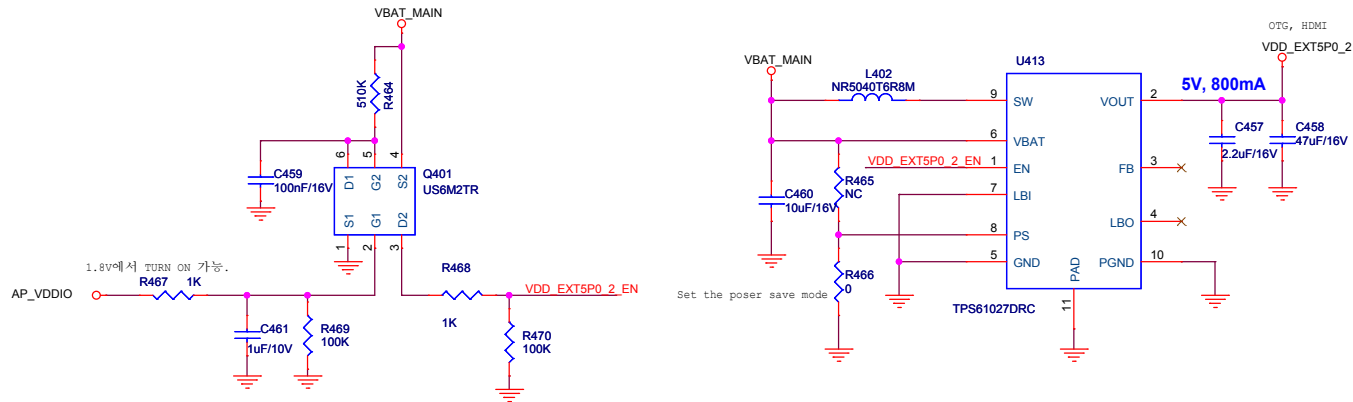
LEVEL TRANSLATOR



USB OTG

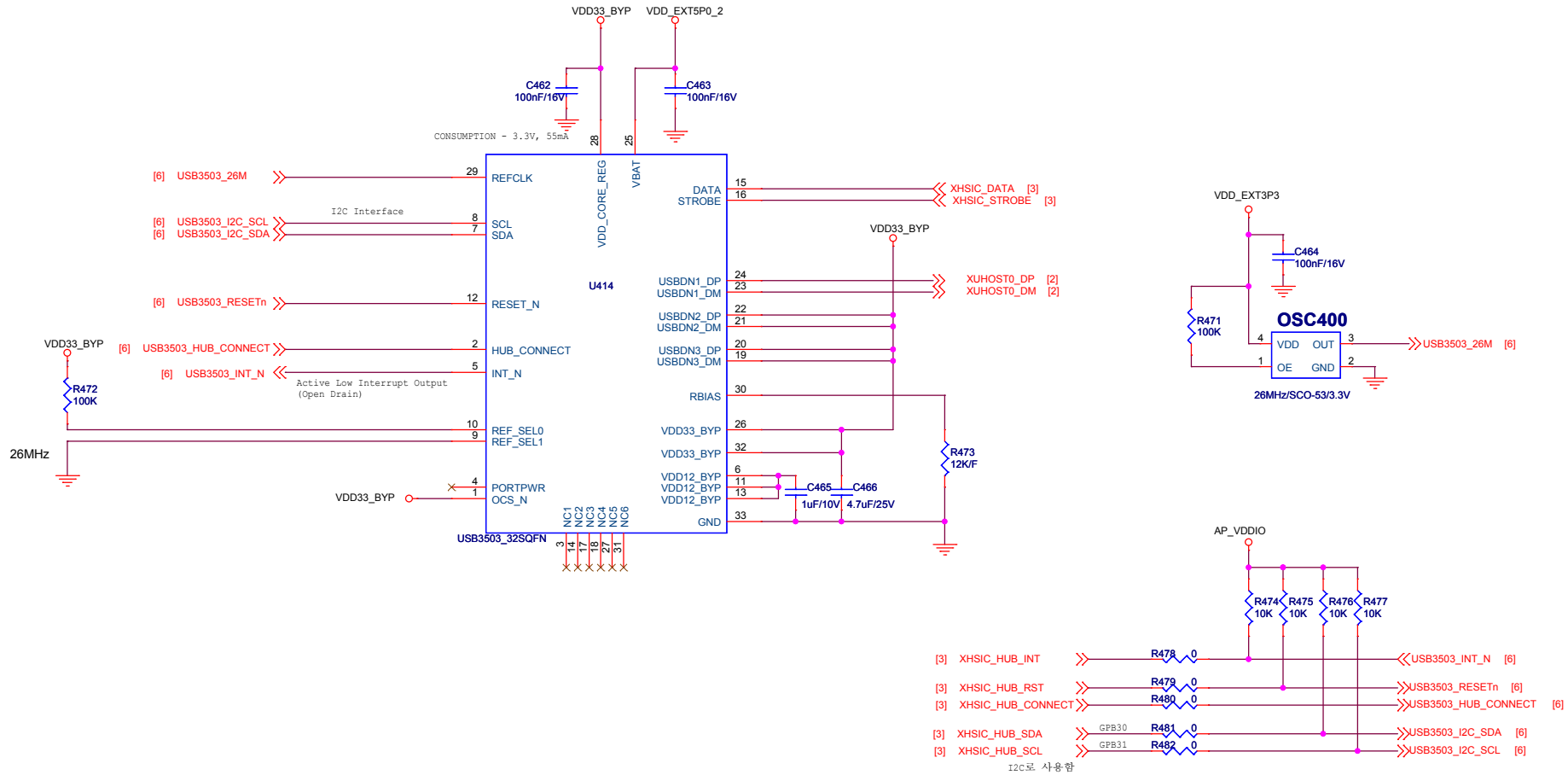


EXT DCDC (Boost) 2

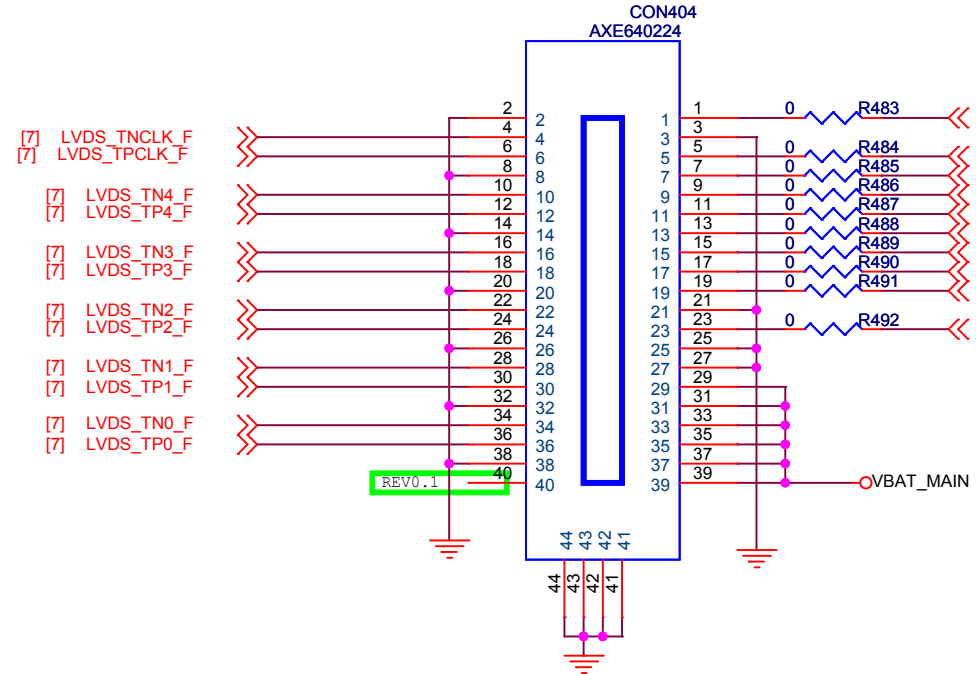
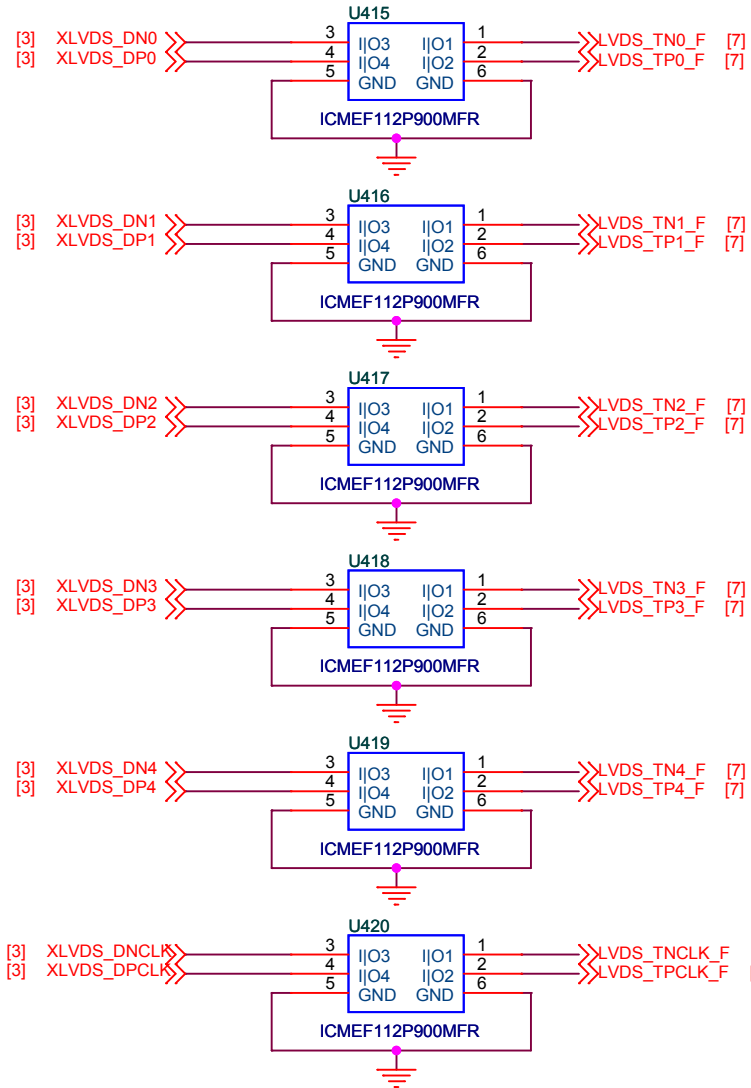


Samsung Electronics Co., Ltd.,		
Title		
ARTIK530 INTERPOSER NEXELL BOARD REV0.3		
Size	Document Number	Rev
A3	05: USB OTG	0.2
Date:	Friday, August 12, 2016	Sheet 5 of 10

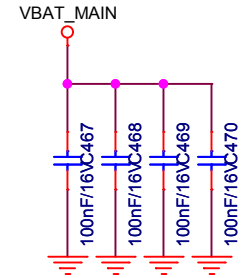
USB HSIC HUB



LVDS

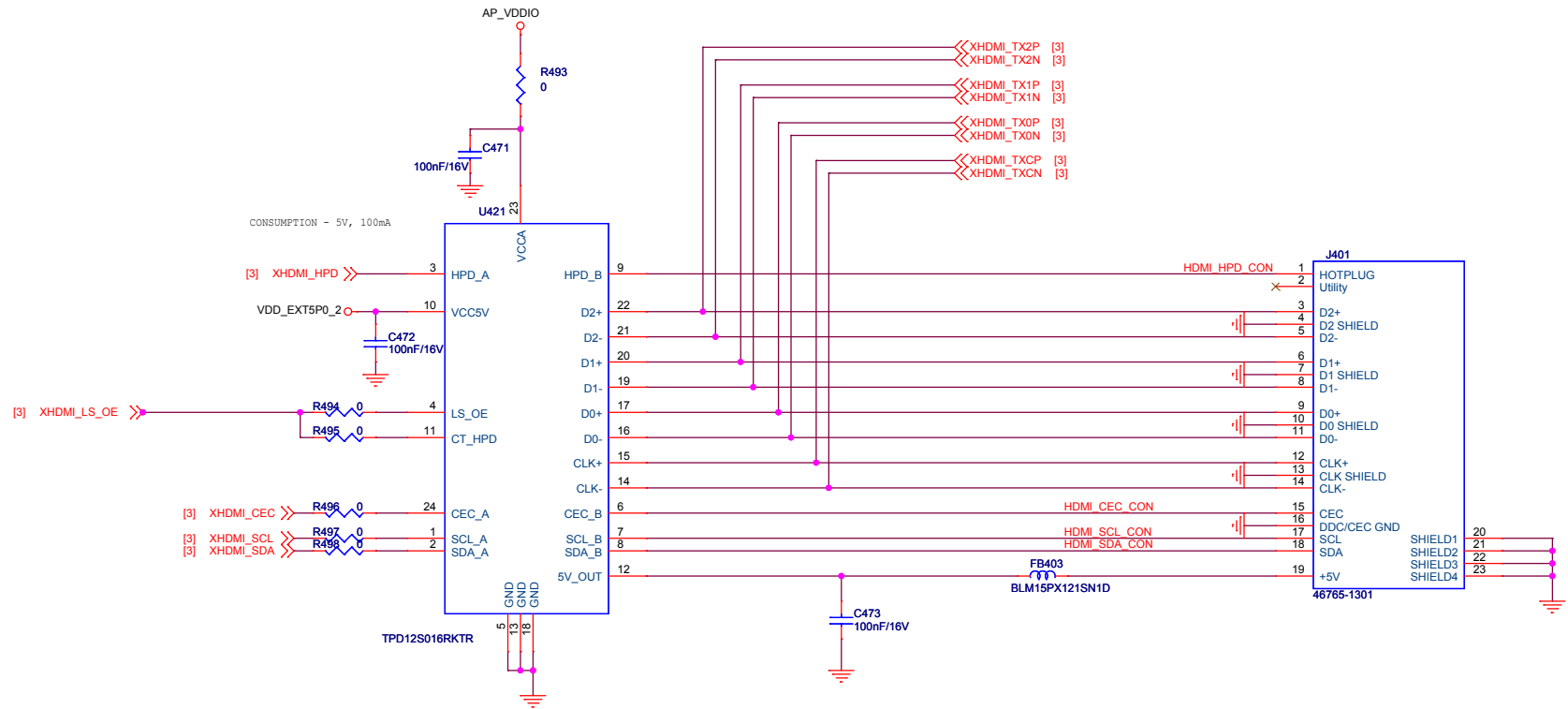


- XLCD_PWMOUT [3]
- XLCD_RESET [3]
- XLCD_GPIO [3]
- XTSP_SCL [3]
- XTSP_SDA [3]
- XTSP_RESET [3]
- XLCD2_GPIO1 [3]
- XTSP2_GPIO1 [3]
- XTSP2_INT [3]
- LCD2_ID [2]



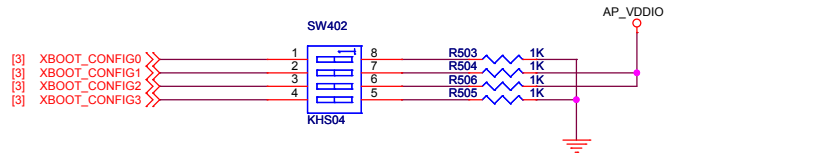
Title		
ARTIK530 INTERPOSER NEXELL BOARD REV0.3		
Size	Document Number	Rev
A4	07: LCD LVDS DISPLAY	0.2
Date:	Friday, August 12, 2016	Sheet 7 of 10

HDMI

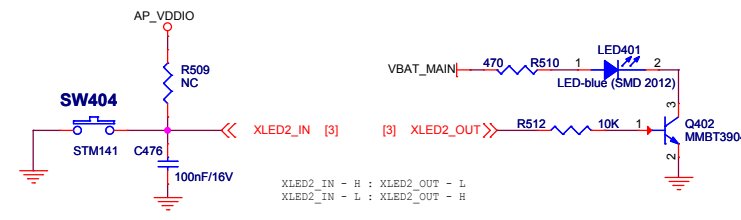
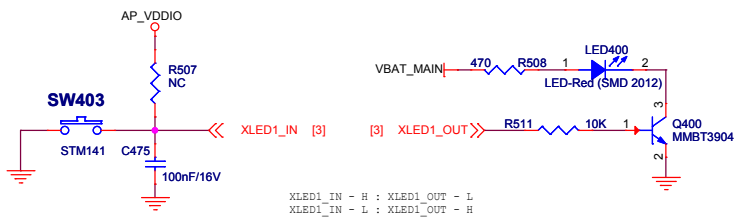


BOOT MODE SEL

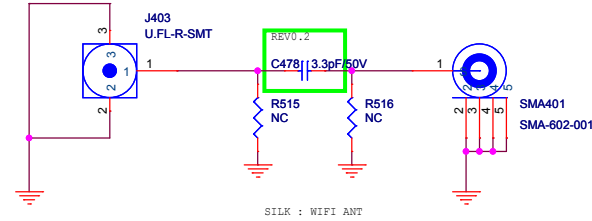
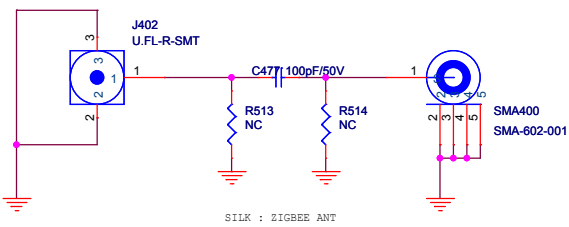
SW4	Comment	eMMC 1st Boot	SD Card 1st Boot	USB 1st Boot
1	-	Off	Off	On
2	-	Off	Off	On
3	Hardware Board Revision ≤ 0.3	On	On	X
3	Hardware Board Revision ≥ 0.4	X	X	X
4	-	Off	On	X



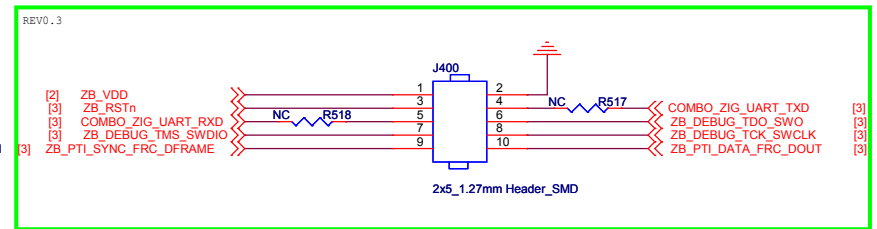
XLED TEST



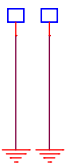
RF ANT PORT



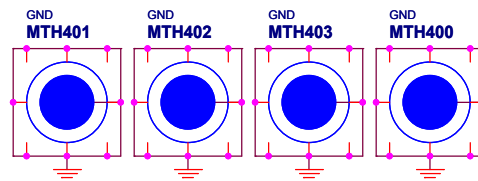
ZIGBEE DN TOOL



tp_2_5x4_5_smd tp_2_5x4_5_smd
TPH400PH401



GND TP HOLE



Mount Hole

Samsung Electronics Co., Ltd.,		
ARTIK530 INTERPOSER NEXELL BOARD REV0.3		
Size A3	Document Number 09: BM, RTC, ANT, ZIGBEE	Rev 0.2
Date: Friday, October 28, 2016	Sheet 9	of 10

REV #. #	DATE	REVISION HISTORY
0.1	16.06.02	XTSP1_INT - level shifter 변경 R82, R83 - 삭제 U83 - PAK24, PAL24 BALL NAME 변경 - PU41, PU42, PT41, PT1, PU1, PV1, PM42, PM41, PK42, PK41, PJ42, PN41 - GND R73, 74 - 삭제 CON6 - AXE640224으로 변경, 39PIN - 삭제
	16.06.03	SW2, 3 - ST타입으로 변경
	16.06.03	J8 - 좌우 mirroring R43, 44 - 추가
	16.06.16	BM - SILK 수정
0.2	16.06.23	JP1 - SMD로 변경 reference number 변경
	16.06.24	XBASE_PWRON 회로 변경 LED402 추가 R415 삭제
	16.07.06	COMBO_ZIG_UART_TXD, RXD - SWAP R517, 518 - NC
0.3	16.07.18	C440, 441 - 12pF으로 튜닝
	16.07.26	C440, 441 - 27pF으로 원복
	16.08.04	C478 - 3.3pF으로 튜닝
	16.08.12	R451 - 2K로 변경 J400 - PIN 좌, 우 반전 TP403, 404 - 추가 MICOM_INT : PAK5 --> PP41로 변경 PAK6, PAL6, PAK5, PAL5 : TP 추가
	16.10.28	BOOT CONFIG TABLE 변경

REV #. #	DATE	REVISION HISTORY