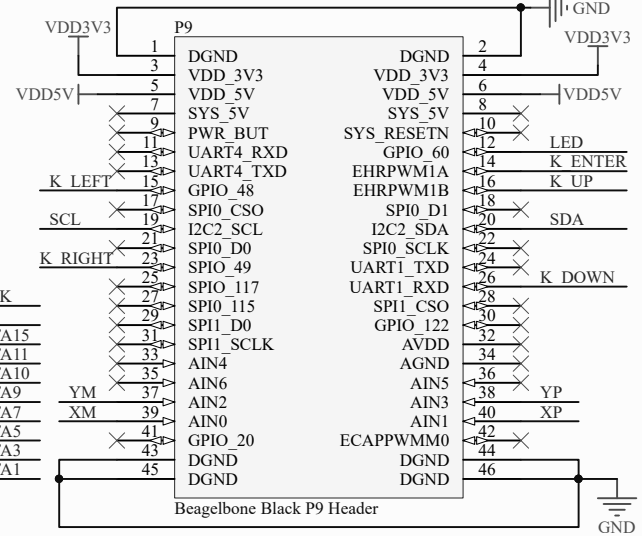
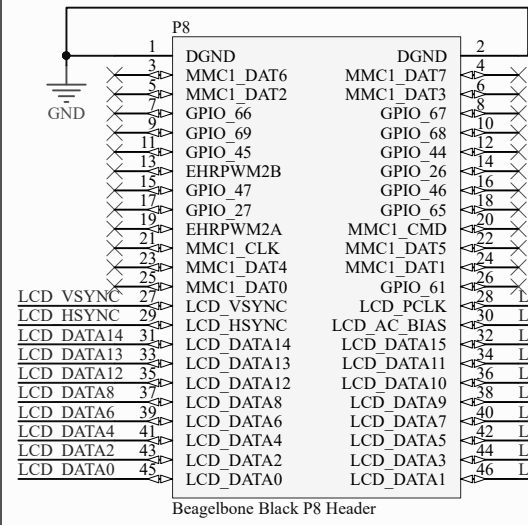
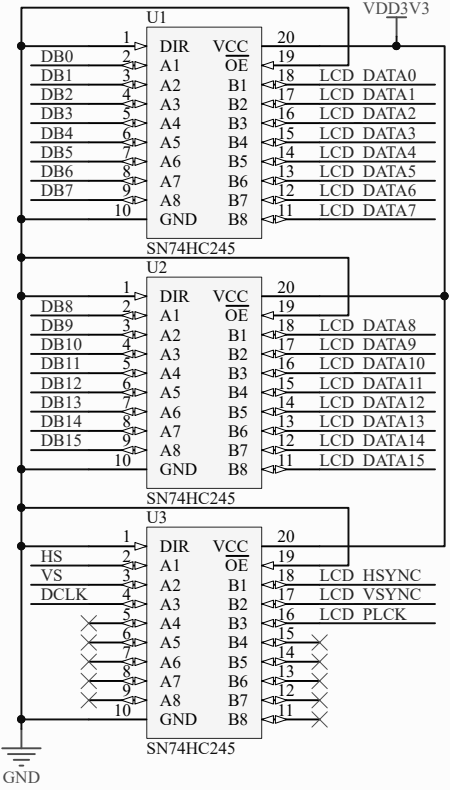


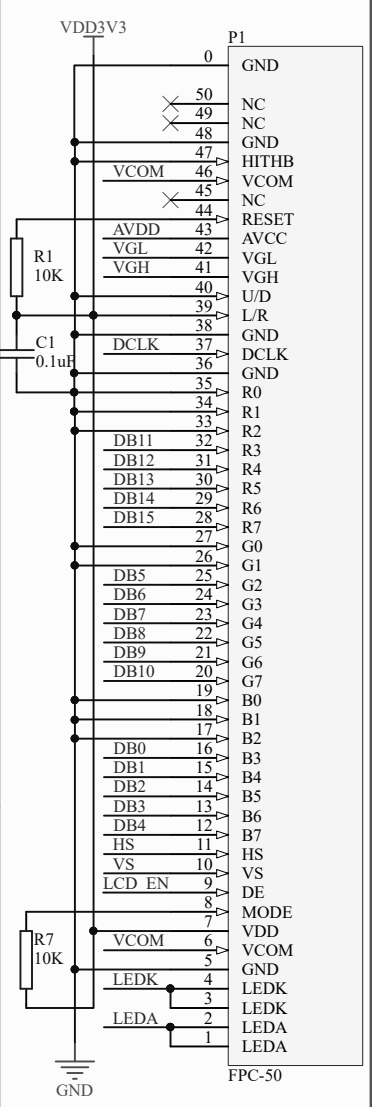
# 1.BBG\_Header



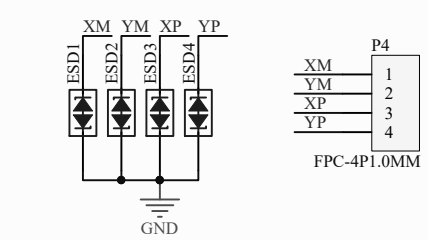
# 2.Bus transceiver



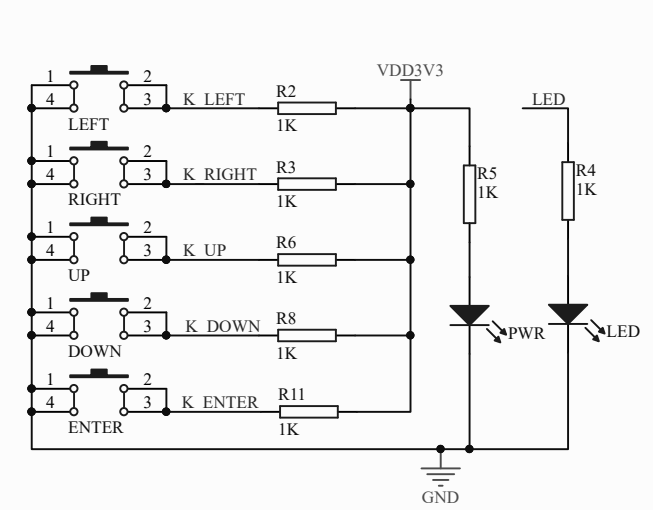
# 3.FPC-CON



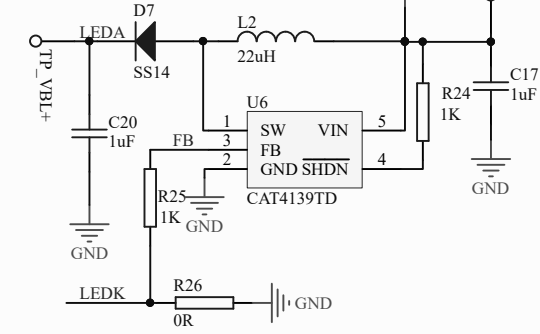
# 4.ESD & TP\_Interface



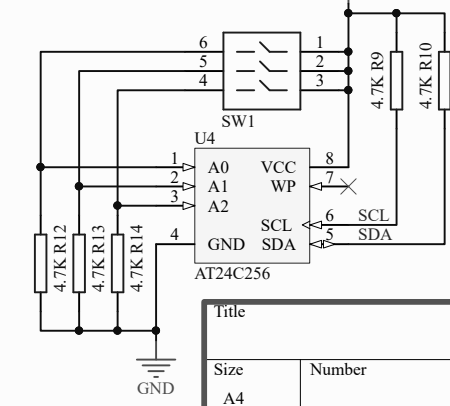
# 5.KEY & LED



# 7.BK



# 6.EEPROM



Title		
Size	Number	Revision
A4		
Date:	2016/9/19	Sheet of
File:	C:\Users\... \BBG_TFT7.SchDoc	Drawn By: